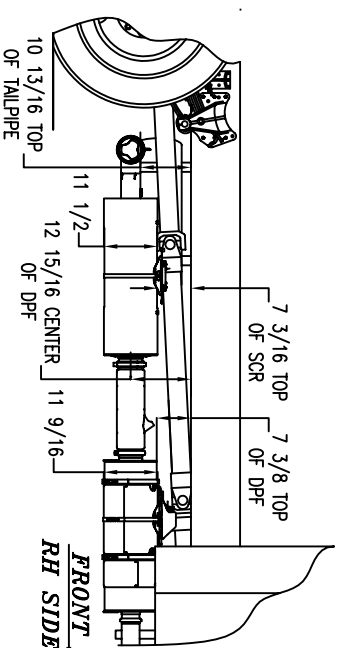
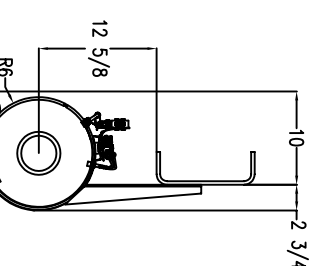


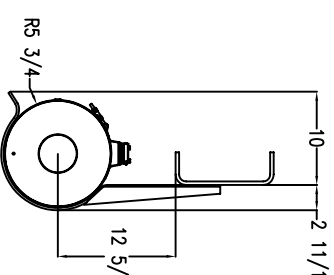
FROM MIRROR TO MIRROR WITH MIRRORS EXTENDED PERPENDICULAR TO CAB



RH SIDE



SECTION A-A  
DPF



SECTION B-B  
SCR

MATERIAL THICKNESSES

ROOF	3/16"
FRONT WALL	3/16"
REAR WALL	3/16"
FLOOR	3/16"
DOOR EXTERIORS	3/16"
SIDE WALLS	3/16"

CREATED WITH AutoCAD®

TOLERANCES:  
 DRILLED HOLE LOCATING ±.010  
 DRILL HOLE DIAMETER +.005/- .002  
 CAST SURFACES ±1/16  
 NOMINAL DIMENSIONS (WELDED FABRICATIONS) ±1/16  
 SHEARED, SAWED, BURNED EDGES ±1/16  
 LOCATING FINISHED (MACHINED) SURFACES ±.010  
 ANGLES 40 DEGREES 30 MINUTES  
 LINEAR MEASURE IS IN INCHES

- NOTES:
- DO NOT SCALE DRAWING
  - BREAK ALL SHARP EDGES
  - PRIME PAINT STEEL PARTS PER A-89541-1.
  - STAMP HME PART NO./REV. LET. ON METAL PARTS.
  - STENCIL HME PART NO./REV. LET. ON NON-METAL PARTS.
  - WELD DATA SEE A-28213
  - PUNCHED HOLE TOLERANCE PER A-89063
  - DIMENSIONS IN PARENTHESES (") ARE FOR REFERENCE.

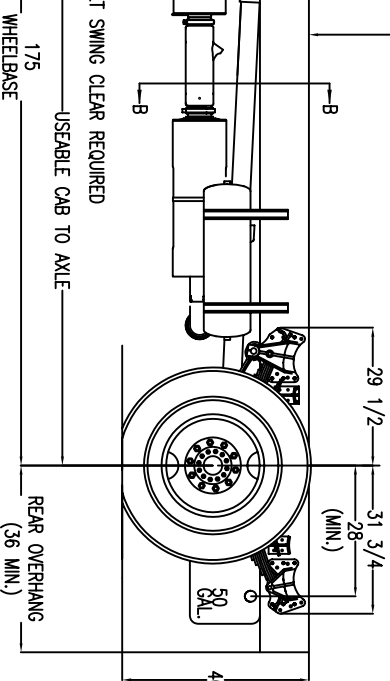
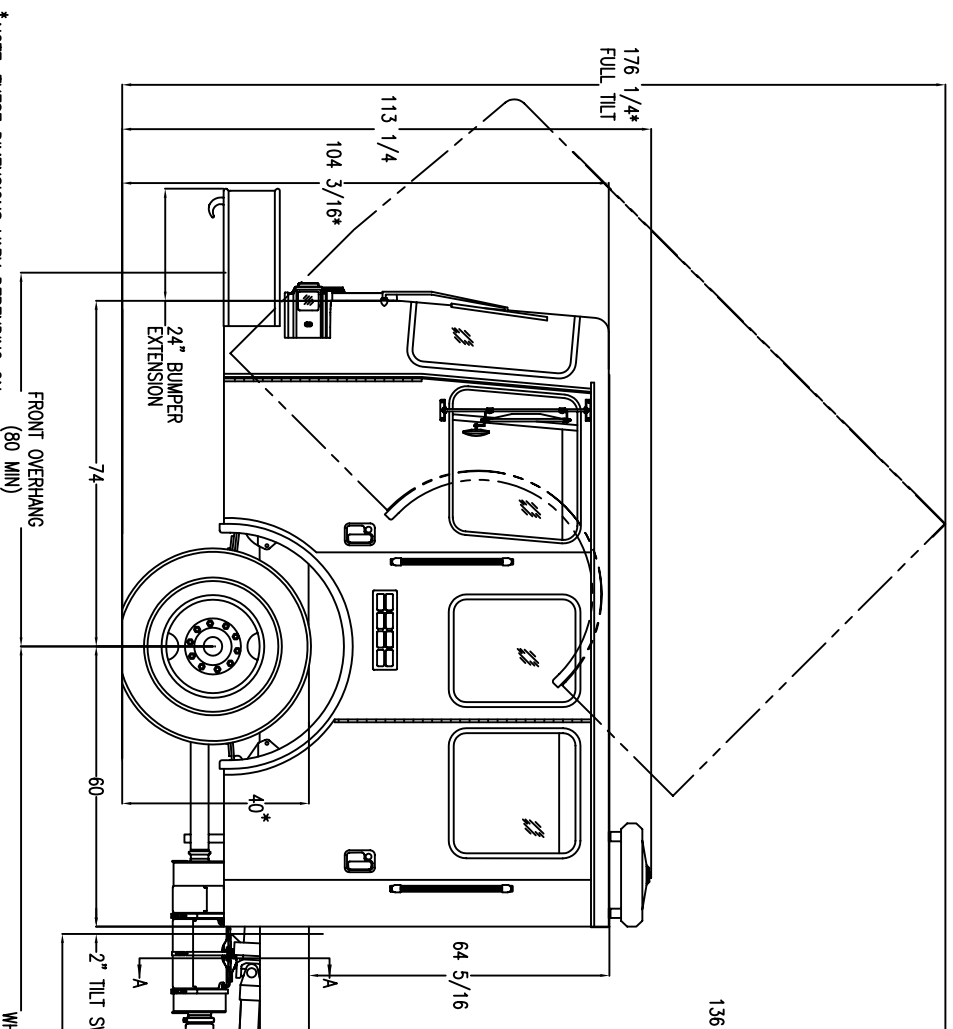


1950 BYRON CENTER AVE.  
 WYOMING, WY. 83009

NAME	BODY BUILDER - LAYOUT		
DRAWN	K.ADAMS	DATE	2 APR 10
LET	BY	DATE	APPR
			RELEASED FOR PRODUCTION
			REVISION

THIS PRINT IS PROVIDED ON A RESTRICTED BASIS AND IS NOT TO BE USED IN ANY WAY DETRIMENTAL TO THE INTERESTS OF HME, INC.

SCALE	N/A	DISKETTE FILE	B60454-319.DWG
SHEET	1 OF 1		



NOTE:  
 SHORTEST WHEELBASE  
 W/TIRE CHAINS 184"

\*NOTE: THESE DIMENSIONS VARY DEPENDING ON  
 LOAD. (REF. FRAME HEIGHT IS 40.00)

**WARNING: HIGH EXHAUST TEMPERATURE POTENTIAL**

During an active regeneration exhaust gases and system surfaces may reach temperatures well in excess of 1000 degrees Fahrenheit. Body Design must limit exposure to combustible or heat sensitive materials. To reduce the risk of physical injury or property damage a safe exhaust area (free of human activity and combustibles) must be established prior to enabling a stationary Regeneration.

**NOTICE: FINAL STAGE MANUFACTURERS AND END USERS**

This exhaust system has been certified to meet the engine manufacturers requirements for On Highway EPA and CARB emissions certified installations in effect on the date of manufacture. Relocation or modification of the Aftertreatment Device or any of the exhaust tubing between it and the engine voids this certification and may be a violation of state and federal law.